

Areamaster™ 1000 Floodlights

Integrally Ballasted. 1000 W HID

For hazardous locations.

NEC/CEC:

Listed for ordinary and marine locations

NEC – Optional hazardous locations:
Class I, Division 2, Groups A, B, C, D

CEC – Optional hazardous locations:
Class I, Division 2, Groups A, B, C, D
Class I, Zone 2, Ex nR, Groups IIA, IIB, IIC

Applications

- Powerful, efficient weatherproof lighting for large areas such as:
 - Pulp and paper mills
 - Processing plants
 - Chemical plants
 - Oil refineries
 - Foundries
 - Storage areas
 - Waste and sewage treatment
 - Parking garages
 - Other areas where dust, water, dirt and rough usage are a problem

Features

- Highly efficient, integrally ballasted floodlight. Has compact, lightweight, yet rugged diecast aluminum construction. Combines architecturally beautiful design with rugged dependability, simple installation and maintenance.
- Easy to install and service.
- A wide range of ballasts and voltages are available for both domestic and export applications.
- Integral ballast.
- One-piece housing.
- One-piece lens cover. Secured by five 1/4" Dia. captive stainless steel slotted hex-head bolts.
- Thermal shock and impact resistant glass lens.
- Heavy duty, high temperature silicone rubber gasket, firmly seated.
- Heavy duty mogul-base porcelain socket with heavy gauge brass, nickel-plated, double lamp-grip screw shell and spring-loaded center contact.
- Compound parabolic, double segment, finished aluminum reflector for optimum efficiency.
- Yoke mount, zinc plated steel yoke with architectural bronze polyester finish.
- 3/4" NPT tapped hub for power entry.

Standard Materials

- Ballast housing and lens door: copperfree (4/10 of 1% max.) aluminum
- Gasket: silicone rubber
- Socket: heavy duty porcelain with heavy gauge brass shell
- Reflector: finished aluminum
- Yoke mount: zinc plated steel
- Bolts: stainless steel

Standard Finishes

- Ballast housing, lens cover, yoke and pole mount: architectural bronze polyester
- Socket: nickel-plated

NEC/CEC Certifications and Compliances

- UL Standard: UL 1598, UL 844
- UL Listed: E10794



Yoke

Projected Area: 3.36 Sq. Ft.

HID/FLOODLIGHT: NEC/CEC ENCLOSED AND GASKETED

Appleton®

Areamaster™ 1000 Floodlights

Integrally Ballasted. 1000 W HID

For hazardous locations.

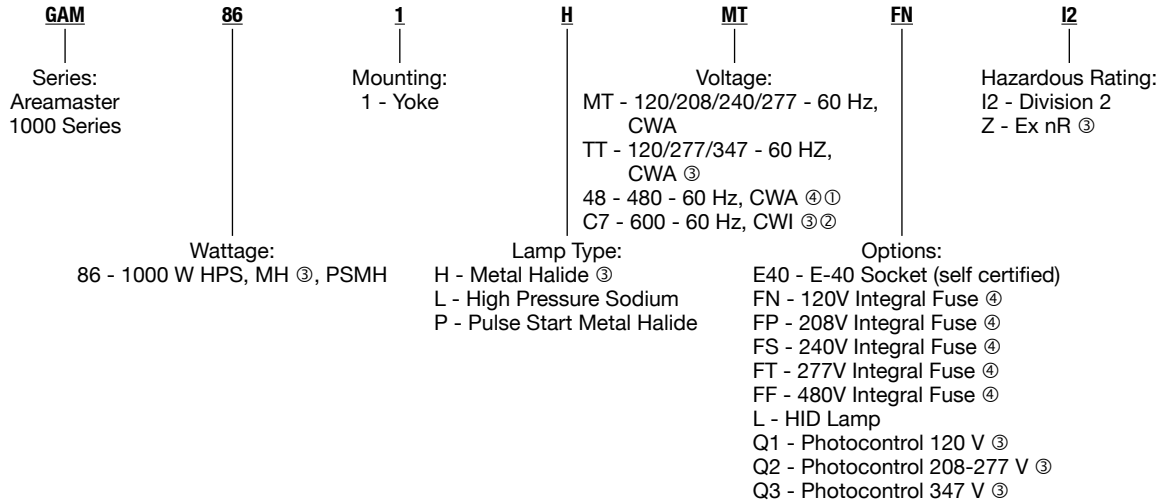
NEC/CEC:
Listed for ordinary and marine locations

NEC – Optional hazardous locations:
Class I, Division 2, Groups A, B, C, D

CEC – Optional hazardous locations:
Class I, Division 2, Groups A, B, C, D
Class I, Zone 2, Ex nR, Groups II

Order using catalog numbering guide below or select catalog number from tables on following pages.

Catalog Numbering Guide For Areamaster 1000 Floodlights



“T” Numbers Represent the Maximum Lamp Temperature for Class I, Division 2 Locations and Maximum Surface Temperature Under Dust Blanket for Class II, Division 1 Locations.

“T” Number	T1	350	325	T2	T2A	T2B	T2C	T2D	T3	T3A	T3B	T3C	T4	T4A	T5	T6
Temp. Range (°C)	351-450	326-350	301-325	281-300	261-280	231-260	216-230	201-215	181-200	166-180	161-165	136-160	121-135	101-120	86-100	85
Temp. Range (°F)	664-842	619-662	574-617	538-572	502-536	448-500	421-446	394-419	358-392	331-356	322-329	277-320	250-275	214-248	187-212	185

“T” Numbers Represent the Maximum Surface Temperature for Luminaires with AEx nA nR or AEx nR rating

“T” Number	T1	T2	T3	T4	T5	T6
Temp. Range (°C)	301-450	201-300	136-200	101-135	86-100	85
Temp. Range (°F)	547-842	394-572	277-392	214-275	187-212	185

① For CEC 480 V, 60 Hz, consult factory.

② Not available for PSMH versions.

③ Certified to meet the Canadian Electrical Code (CEC) only.

④ Certified to meet the National Electrical Code (NEC) only.

HID/FLOODLIGHT: NEC/CEC ENCLOSED AND GASKETED

Appleton

Areamaster™ 1000 Floodlights

Integrally Ballasted. 1000 W HID

For hazardous locations.

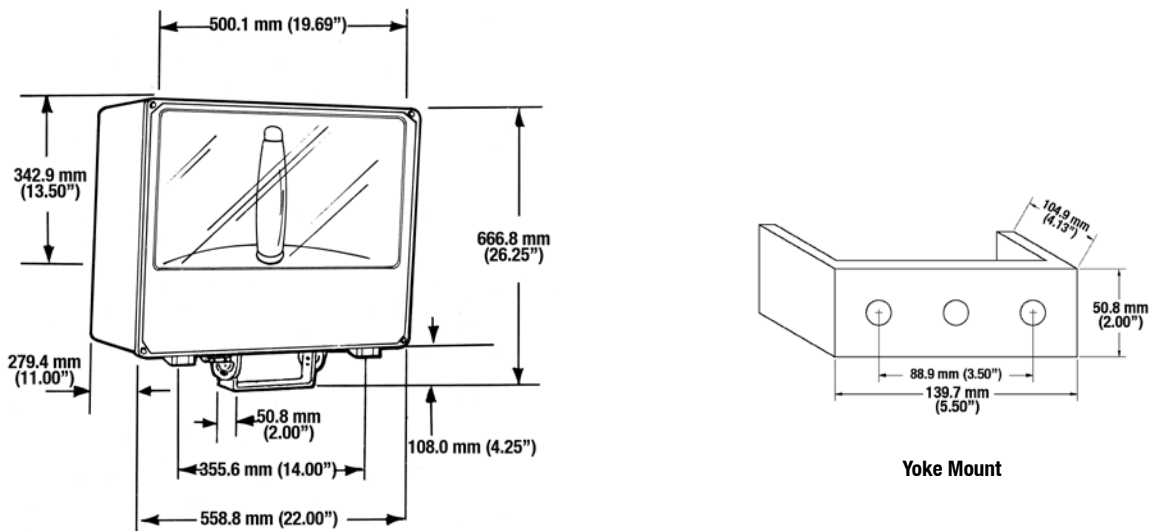
NEC/CEC:
Listed for ordinary and marine locations

NEC – Optional hazardous locations:
Class I, Division 2, Groups A, B, C, D

CEC – Optional hazardous locations:
Class I, Division 2, Groups A, B, C, D
Class I, Zone 2, Ex nR, Groups II

Lamp Watts	Line Voltage	Weight kg (lb)	Volume dm ³ (in ³)	NEC/CEC Class 1, Division 2 Catalog Number	CEC Class I, Zone 2, Ex nR Catalog Number
High Pressure Sodium					
1000	120/208/240/277			G-AM861L-MT-I/2	G-AM861L-MT-Z ②
1000	120/277/347			G-AM861L-TT-I/2 ②	G-AM861L-TT-Z ②
1000	480	29.48 (65.0)	75.7 (4620)	G-AM861L-48-I/2	G-AM861L-48-Z ②
1000	600 ①			G-AM861L-C7-I/2 ②	G-AM861L-C7-Z ②
Metal Halide					
1000	120/208/240/277			G-AM861H-MT-I/2	G-AM861H-MT-Z ②
1000	120/277/347			G-AM861H-TT-I/2 ②	G-AM861H-TT-Z ②
1000	480	29.48 (65.0)	75.7 (4620)	G-AM861H-48-I/2	G-AM861H-48-Z ②
1000	600 ①			G-AM861H-C7-I/2 ②	G-AM861H-C7-Z ②
Pulse Start Metal Halide					
1000	120/208/240/277			G-AM861P-MT-I/2 ③	—
1000	480	29.48 (65.0)	75.7 (4620)	G-AM861P-48-I/2 ③	—

Dimensions in Millimeters (Inches)



- ① Supplied complete with CWI Isolated Secondary Ballast for 600 Vac.
- ② Certified to meet the Canadian Electrical Code (CEC) only.
- ③ Certified to meet the National Electrical Code (NEC) only.

Areamaster™ 1000 Floodlights

Integrally Ballasted. 1000 W HID

For hazardous locations.







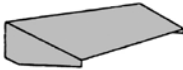
NEC/CEC:
Listed for ordinary and marine locations

NEC – Optional hazardous locations:
Class I, Division 2, Groups A, B, C, D

CEC – Optional hazardous locations:
Class I, Division 2, Groups A, B, C, D
Class I, Zone 2, Ex nR, Groups II

HID/FLOODLIGHT: NEC/CEC ENCLOSED AND GASKETED

Appleton®

	Description	Catalog Numbers
Crossarm Mounting Bracket 	Has 180° horizontal adjustment — degree marked. Facilitates mounting floodlight to crossarm or other flat surface, or to G-AM-8-WB. Includes floodlight yoke bolts. Malleable iron, zinc plated, chromate sealed, architectural bronze polyester finish.	G-AM-8-CA
Pipe or Wall Mount Bracket 	Used with G-AM-8-CA. Clamps to 1" to 2-1/2" pipe, vertical or horizontal, or mounts on flat surfaces. Includes U-bolt and crossarm bracket bolts. Malleable iron, zinc plated, chromate sealed, with architectural bronze polyester finish.	G-AM-8-WB
Poletop Slip-Fitter  	Slip-fits 1-1/2" or 2" pipe size poletop tenons. Includes floodlight yoke bolts, 3 locking bolts, and cord grip. Body is malleable iron-zinc plated, chromate sealed, with cast aluminum cap. Assembly has architectural bronze polyester finish.	G-SF20
Locking-Type Photocontrol Receptacle 	For NEMA type photocontrol, with installation hardware and instructions.	G-1PCR
Vandal Shield 	UV stabilized polycarbonate, with installation hardware and instructions.	G-AM-8-NVS
Top Visor 	Easy to install with hardware supplied. Aluminum, with architectural bronze polyester finish.	G-AM-6-NV

Areamaster™ 1000 Floodlights

Integrally Ballasted. 1000 W HID

For hazardous locations.

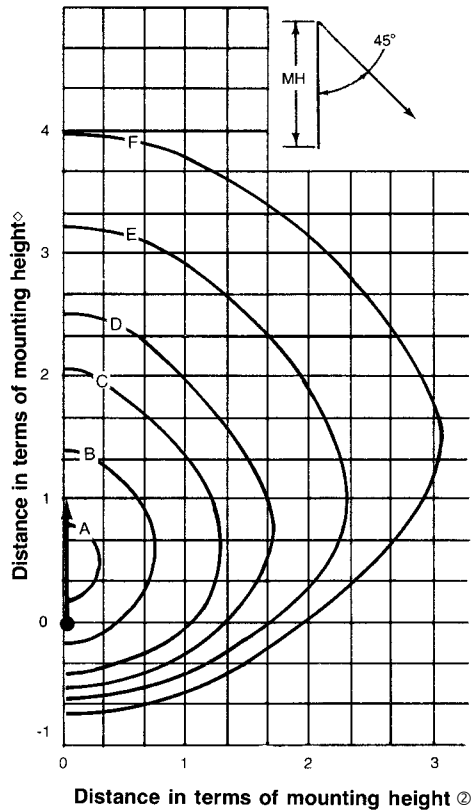
NEC/CEC:
Listed for ordinary and marine locations

NEC – Optional hazardous locations:
Class I, Division 2, Groups A, B, C, D

CEC – Optional hazardous locations:
Class I, Division 2, Groups A, B, C, D
Class I, Zone 2, Ex nR, Groups II

Photometric Data

Typical Footcandle Values ①



Mtg. Ht. M (Ft)	Footcandle Values for Iso Footcandle Lines					
	A	B	C	D	E	F
1000W HPS Clear, 140,000 Lumens, Cat. No. G-AM861L-MT						
18.3 (60)	8.0	3.0	1.0	0.5	0.20	0.10
15.2 (50)	11.5	4.6	1.5	0.72	0.27	0.15
12.2 (40)	17.3	6.8	2.4	1.0	0.45	0.21
9.1 (30)	31.5	12	4.1	1.9	0.80	0.30
1000W MH Clear, 110,000 Lumens, Cat. No. G-AM861H-MT						
18.3 (60)	6.0	3	1.0	0.5	0.20	0.10
15.2 (50)	8.2	4.2	1.4	0.8	0.28	0.15
12.2 (40)	12.6	7.9	2.3	1.2	0.42	0.19
9.1 (30)	23.0	11.6	4.0	2.1	0.70	0.25

Photometric Data ①

	HPS	MH	PSMH
Horiz. Spread	134°	133°	
Vert. Spread	131°	124°	
Beam Lumens	77,440	62,112	
Beam Effic.	55.3%	56.5%	
Max. CP	40,251	45,909	
Avg. Max. CP	38,396	38,490	
Total Lumens	80,846	66,008	
Total Effic.	57.7%	60.0%	

Electrical Specifications

Lamp Type	Line Voltage	Type of Ballast	Starting Amps	Operating Amps	Total Watts
1000 Watt High Pressure Sodium					
HPS	120	CWA	6.35	9.50	1100
HPS	208	CWA	3.80	5.50	1100
HPS	240	CWA	3.20	4.80	1100
HPS	277	CWA	2.75	4.20	1100
HPS	347	CWA	2.20	3.30	1100
HPS	480	CWA	1.80	2.45	1100
1000 Watt Metal Halide					
MH	120	CWA	8.00	9.20	1080
MH	208	CWA	4.60	5.30	1080
MH	240	CWA	4.00	4.60	1080
MH	277	CWA	3.50	4.00	1080
MH	347	CWA	2.50	3.20	1080
MH	480	CWA	2.00	2.30	1080
1000 Watt Pulse Start					
PSMH	120	Super CWA	8.30	8.50	1065
PSMH	208	Super CWA	4.70	5.00	1065
PSMH	240	Super CWA	4.00	4.40	1065
PSMH	277	Super CWA	3.40	3.80	1065
PSMH	480	Super CWA	2.00	2.30	1075

T Numbers and Temperature Ratings Areamaster 1000

Fixture Wattage	Lamp Type	Fixture Type	T Ratings	Ambient	T Rating Temperature Range °C (°F)
				Temp. °C (°F)	
1000	HPS	Class I Div 2	350	40 (104)	301-350 (574-662)
1000 ③	HPS	Ex nR IIC	T3	40 (104)	136-200 (277-392)
1000	PSMH	Class I Div 2	T1	40 (104)	301-450 (574-842)

① Photometric charts available on request.

② i.e., ratio of distance to height. Example: @ 6.1 meters (20 feet) mounting height, 1 means 6.1 meters (20 feet); 2 means 12.2 meters (40 feet), etc.

③ Certified to meet the Canadian Electrical Code (CEC) only.